

H-TYPE LASER

H-TYPE: THE MEDIUM-SIZE CO₂ LASER CUTTING AND MARKING SYSTEM.



- H-Type, this is a special peerless machine in its model class, it has a new axis-movement system based on a innovative "H"-transmission system (Patent Pending). Based on four interpolated controlled TW brushless motors together with sophisticated algorithms H-Type ensures an outstanding dynamic movement and accurate work-process.
- The X-Y movement parts are placed on a sturdy frame cast with particular weight and rigidity; the covers are made up of fiberglass protection guards with metal parts coated by epoxy, which gives to H-Type a very particular look and a touch of Italian design.
- High acceleration and performances; speed up to 4 m/s in raster mode and speed up to 3m/s in vector mode.
- Motorized X-Y axes with no. 4 brushless motors with digital drivers.
- Cutting head with motorized Z-axis, interchangeable lens holder and nozzle.
- Work table with mobile Z-axis motorized with 100 mm stroke; working table and material support with aluminum grid, professional prearrangement for fume suction.
- Optional front and rear openings for the process of longer sheets and/or to house the mobile table with conveyor are possible.
- Icaro SEI Laser proprietary software driver (CAM), including the possibility of making rubber-stamps and bas-reliefs (raster mode with grey scale 0-255).



A ve A Endüstriyel Teknoloji Ürünleri Makina San Tic Ltd Sti
Oruç Reis Mah, Giyimkent C1-B232 Blok No 128
Esenler 34235 İstanbul Türkiye
T. 0212 438 38 08 E. info@aaetum.com

we live laser

AAETUM
LASER



Optical groups/interchangeable lenses



Single 360° rotary attachment



CCD camera kit for registration of cutting to printing markers



Two level assist gas Kit for cutting/marking



Additional suction flange

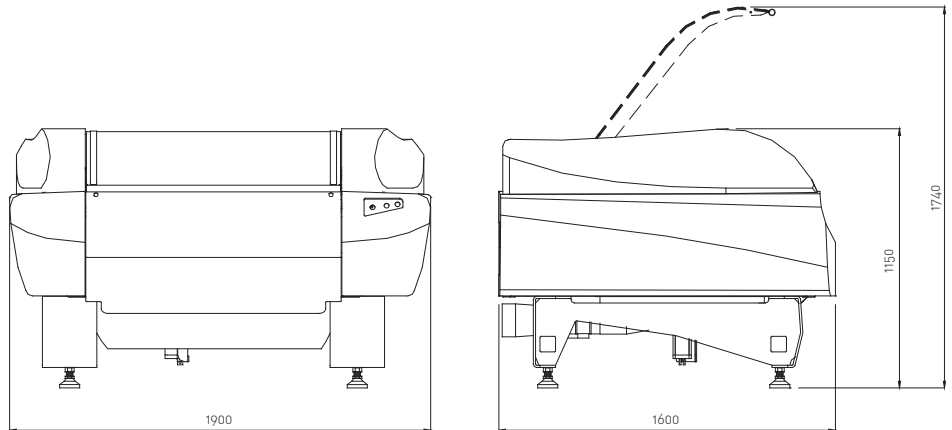
Main technical features:

Sealed CO ₂ laser source	available power from 80 W to 350 W
Useful working area (mm)	1000x700
Vertical range of the working table (motorized) mm	100
Cutting head range (with motorized Z axis) mm	30
Max. Thickness of the material to process	mm 90
Repeatability (mm)	+/- 0.05
X-Y- axis resolution (mm)	0.002
Max acceleration (m/s ²)	40 (vector); 80 (raster; X axis)
Max. vector speed (mm/s)	3000
Max. X-axis raster speed (mm/s)	4000
Max. bitmap file resolution (dpi)	1200
Max. bitmap file of grey tone levels	256
Air compressed inlet (de-humidified and filtered)	bar 6
Compressed air approx. consumption	Nl/m ¹ ≈40
Interface software	Icaro CAM for Windows™ platform
Reading file compatibility vectorial	.dxf; .plt (hpgl); .ai; .eps; .pdf;
Reading file compatibility bitmap	.bmp; .jpg; .tiff; .wmf; .pcd; .pnt; .pcx; etc..;
Norm compliance	2006/95/CE Low Voltage Directive 2006/42/CE Machinery Directive 2004/108/CE Electromagnetic Compatibility Directive IEC EN 60825-1 Laser Safety



Available options for the maximum flexibility:

- registration cutting kit with printing marker recognition; CCD optics + software;
- kit for 3D cutting/ creasing and kiss-cutting of materials with 3D surfaces (dxf 3D compatible);
- 360° rotation axis system for engraving and/or cutting on cylindrical objects;
- additional kit for compressed air assist to aid cutting and/or marking ;
- mobile working table with conveyor for cutting roll materials;
- available lenses and lens holders: 1,5; 2,5"; 3,75"; 5".



Kg 650 max.

The system is CE certified.

The features and the specifications of the system may change without notice.